



平台饮料柜

- 304不锈钢外壳及304 BA镜钢内胆
- 镀锌底及背
- 前面10mm高柱脚
- 柜门配锁
- 双层充氩气镀膜玻璃
- 配LED灯
- 配4个不锈钢层网和10个勾仔
- 220V/ 50Hz/ 1PH

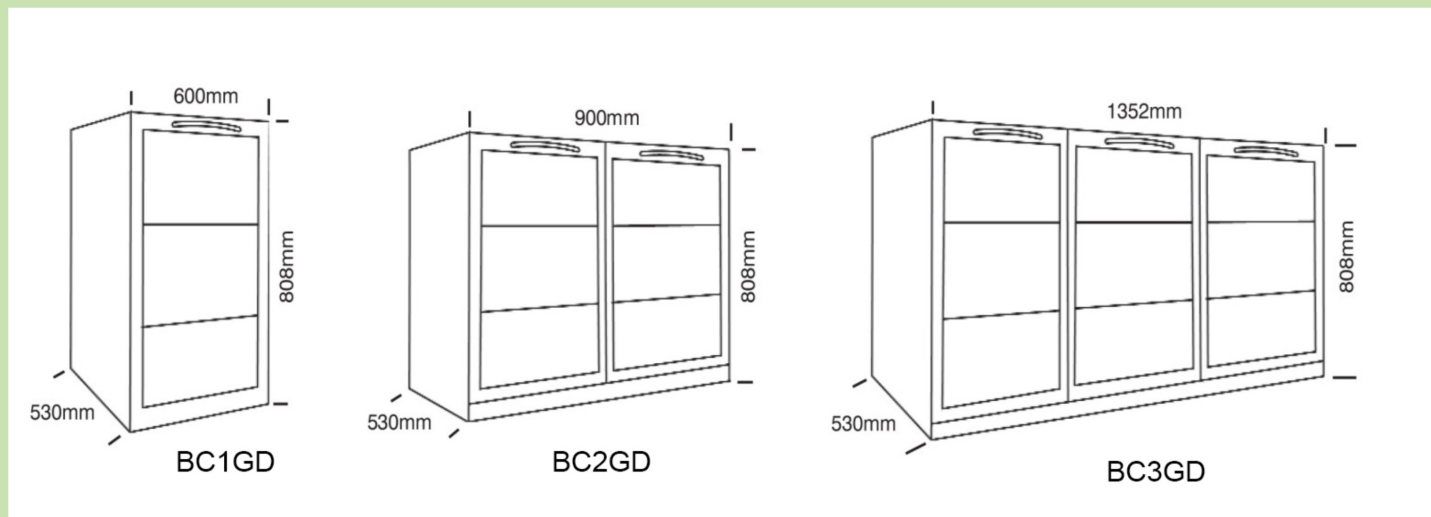
Platform beverage cabinet

- 304 - and 304 BA stainless steel mirror steel liner
- zinc plated bottom and back
- 10mm high column foot
- door lock
- double layer charge argon coated glass
- LED light
- 4 stainless steel mesh and 10 hook.
- 50Hz/ 1PH 220V/

Bc饮料柜将以其良好的外观和明亮的显示增强支撑梁的设计。设计容纳182瓶278瓶 (330ml) 玻璃门，吸引顾客的眼球，有助于刺激的高端酒销售。制冷系统保持温度 (4°C和10°C) 之间的温度 (可调节)，以确保在服务时始终保持凉爽。BC可以独立站立，可用于做一个支撑的工作台或可以双堆叠。里面的层架可以调整高度标准瓶或罐。

BC Bottle Cooler will enhance backbar design with its good looks and bright display. Designed to hold up to 182 to 278 (330ml) bottles, the full-size glass doors catch the customer's eye and help stimulate sales of premium drinks. The refrigeration system maintains temperature (adjustable between 4°C and 10°C) to ensure drinks are always cool when served.

The BC can be free standing, located under a backbar worktop or on shelving to give the impression of double stacking. Inside, the adjustable shelving means the cabinet can be adapted to accept non-standard bottles or cans.



Dimensions

规格 Dimension	BC1GD	BC2GD	BC3GD
外尺寸 (mm) External (mm)	H808 W600 D530	H808 W900 D530	H808 W1352 D530
门开 (mm) Door Opening (mm)	D1130	D1130	D1130
电量 Power Supply	220V 50Hz/1HP 10A	220V 50Hz/1HP 10A	220V 50Hz/1HP 10A
制冷剂 Refrigerera	R134a	R134a	R134a